

KEY FEATURES

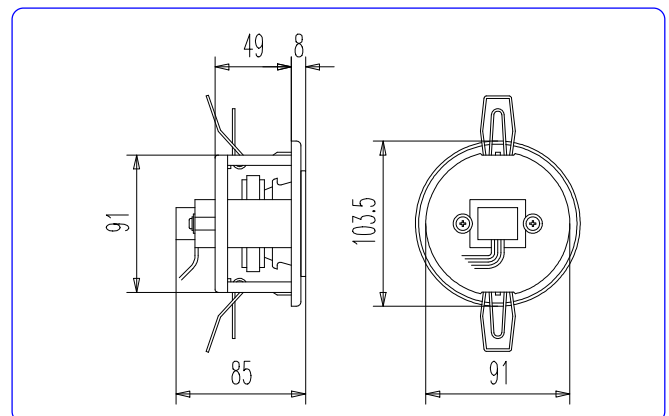
- Full range loudspeaker
- Built-in 100V transformer
- 2 individual power settings in 70/100V mode
- 90° dispersion angle
- White ABS back cover
- Easy to install
- Designed for public address ceiling applications



TECHNICAL SPECIFICATIONS

Type	Full range loudspeaker
Nominal diameter	64 mm. 2.5 in.
Rated impedance	8 ohms.
Power capacity	3 / 6 w (70-100 v)
Sensitivity	85 dB, 1 w @ 1 m
Frequency range	100-20000 Hz
Dispersion angle	90°
Transformer line	70-100 v

DIMENSION DRAWINGS



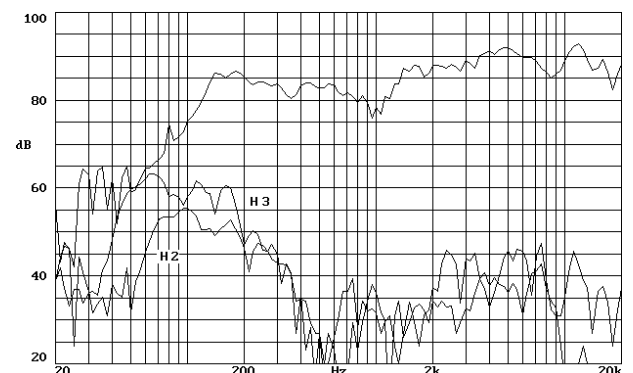
MOUNTING INFORMATION

Overall diameter	103.5 mm. 4.07 in.
Mounting diameter	91 mm. 3.58 in.
Depth	85 mm. 3.35 in.
Net weight	0.43 kg. 0.95 lb.

MATERIALS

- **Diaphragm:** paper.
- **Grid:** metal.
- **Back cover:** ABS.

FREQUENCY RESPONSE AND DISTORTION CURVES



Note: on axis frequency response measured with loudspeaker standing on infinite baffle in anechoic chamber, 1w @ 1m.